

PHOTO PROCESSING SINKS MADE TO YOUR SPECIFICATIONS

There is no need to be bound to "Standard" sink sizes with **Arkay**. Our expert design team and skilled craftspeople have designed and manufactured sinks for hospitals, schools, pathology labs, U.S. ships, graphic arts and other photo and specialized lab facilities for years. All of our stainless steel sinks are made from type 316LC (low carbon) photographic

quality stainless steel. This stainless steel will ensure years of corrosion-free service. If you have a unique or special application sink requirement, call **Arkay** first and talk with our helpful design team. ALL SINKS CAN BE MODIFIED TO COMPLY WITH ADA REGULATIONS and generally at no additional cost.

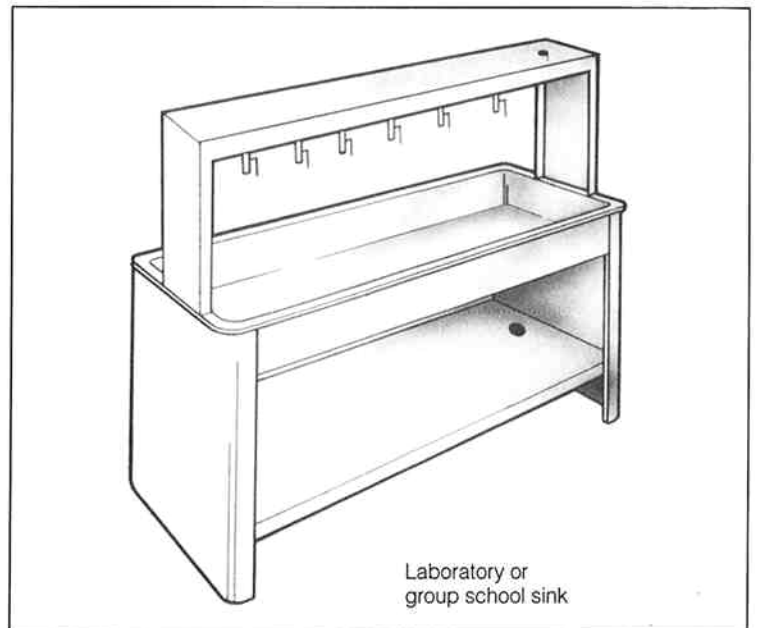
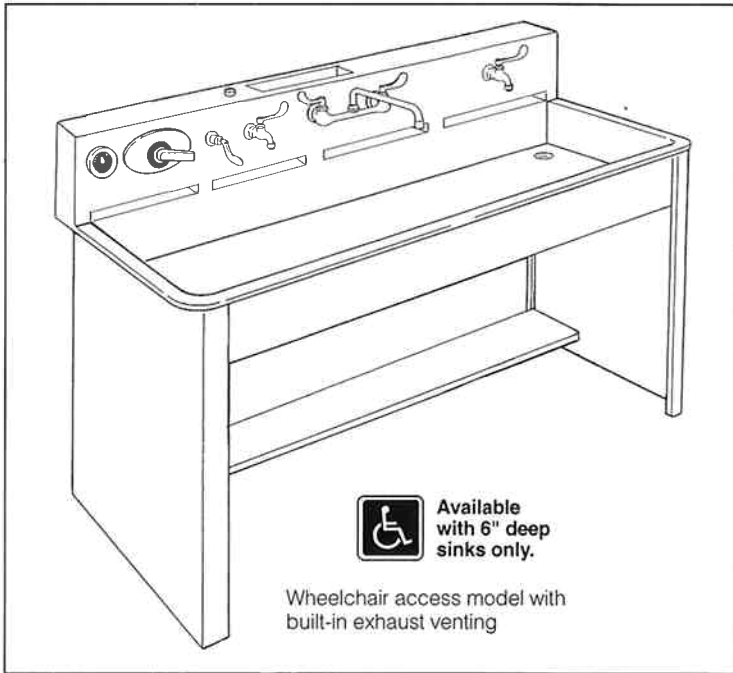


PHOTO PROCESSING SINKS

ARKAY'S PREMIUM SINKS – SERIES S AND SP RADIUS COVERED CORNERS

Arkay's best is the industry's best. The Series S and SP premium sinks are made using 18 gauge Type 316 LC stainless steel as standard, making them thicker, more rugged and longer lasting than the competition's standard gauge sinks. If heavier gauge is required, 16 or 14 gauge is available. Each sink is painstakingly crafted to your exact specifications using this low carbon, highly rigid stainless steel. The S and SP style sinks are 100% seamless construction. The inside corners of these sinks have 3/4" radius covered corners leaving dirt no place to hide. The tapered look is extended to the outside of the sink, where you'll find 1-1/2" wide rims and 1-1/2" radius outside corners. The self-supporting sink stand also has that rounded and polished look of craftsmanship and quality.

Arkay stainless steel premium sinks offer unequalled design and craftsmanship to last a lifetime.

ACCESSORIES AND OPTIONS FOR ALL PREMIUM AND STANDARD SINKS

SINK STAND

The sink stand and storage shelf is available in either black vinyl-clad steel or stainless steel. The sink stand can be modified to comply with ADA wheelchair access requirements. Also available in high pressure laminated wood.

STORAGE SHELF

Heavy duty reinforced storage shelf is available in stainless steel or black vinyl-clad steel.

VENTING

Where venting is required, we can install integral venting ports in the backsplash with a pipe or duct starter collar for hook-up to the building venting system.

DRAIN LOCATION

All sinks are manufactured with the drain in the right rear corner. Drains can be relocated on request.

OPTIONS

- Stainless steel duckboard
- PVC sink mat
- Left and right drain/squeegee boards
- Side splash
- Welded partitions with drain
- Undersink storage cabinet in steel, stainless or high pressure laminated wood

COUNTER-TOP INSTALLATION

To install as a counter top, order the sink with hemmed-under lips and anchor bolts. Sink bottom must be supported by you.

RECIRCULATION ADAPTION

Arkay will punch four holes in the sink bottom (one in each corner). Order attachment kit Model AK-S/1 for XR-100 or 4007A Recirculation System.



Available with 6" deep sinks only.



Premium stainless steel sink with optional stainless steel cabinet and PP3 plumbing package.

SINK SPECIFICATIONS

| Inside Sink* Dimensions W x L x D (in.) | SERIES S | SERIES SP |
|---|--|---|
| | Rounded Corners without Backsplash Model No. | Rounded Corners with 9" High Backsplash Model No. |
| 18 x 36 x 6 or 10 | S-1836 | SP-1836 |
| 18 x 48 x 6 or 10 | S-1848 | SP-1848 |
| 18 x 60 x 6 or 10 | S-1860 | SP-1860 |
| 18 x 72 x 6 or 10 | S-1872 | SP-1872 |
| 18 x 84 x 6 or 10 | S-1884 | SP-1884 |
| 18 x 96 x 6 or 10 | S-1896 | SP-1896 |
| 18 x 108 x 6 or 10 | S-18108 | SP-18108 |
| 18 x 120 x 6 or 10 | S-18120 | SP-18120 |
| 24 x 36 x 6 or 10 | S-2436 | SP-2436 |
| 24 x 48 x 6 or 10 | S-2448 | SP-2448 |
| 24 x 60 x 6 or 10 | S-2460 | SP-2460 |
| 24 x 72 x 6 or 10 | S-2472 | SP-2472 |
| 24 x 84 x 6 or 10 | S-2484 | SP-2484 |
| 24 x 96 x 6 or 10 | S-2496 | SP-2496 |
| 24 x 108 x 6 or 10 | S-24108 | SP-24108 |
| 24 x 120 x 6 or 10 | S-24120 | SP-24120 |
| 30 x 36 x 6 or 10 | S-3036 | SP-3036 |
| 30 x 48 x 6 or 10 | S-3048 | SP-3048 |
| 30 x 60 x 6 or 10 | S-3060 | SP-3060 |
| 30 x 72 x 6 or 10 | S-3072 | SP-3072 |
| 30 x 84 x 6 or 10 | S-3084 | SP-3084 |
| 30 x 96 x 6 or 10 | S-3096 | SP-3096 |
| 30 x 108 x 6 or 10 | S-30108 | SP-30108 |
| 30 x 120 x 6 or 10 | S-30120 | SP-30120 |
| 36 x 36 x 6 or 10 | S-3636 | SP-3636 |
| 36 x 48 x 6 or 10 | S-3648 | SP-3648 |
| 36 x 60 x 6 or 10 | S-3660 | SP-3660 |
| 36 x 72 x 6 or 10 | S-3672 | SP-3672 |
| 36 x 84 x 6 or 10 | S-3684 | SP-3684 |
| 36 x 96 x 6 or 10 | S-3696 | SP-3696 |
| 36 x 108 x 6 or 10 | S-36108 | SP-36108 |
| 36 x 120 x 6 or 10 | S-36120 | SP-36120 |
| 48 x 36 x 6 or 10 | S-4836 | SP-4836 |
| 48 x 48 x 6 or 10 | S-4848 | SP-4848 |
| 48 x 60 x 6 or 10 | S-4860 | SP-4860 |
| 48 x 72 x 6 or 10 | S-4872 | SP-4872 |
| 48 x 84 x 6 or 10 | S-4884 | SP-4884 |
| 48 x 96 x 6 or 10 | S-4896 | SP-4896 |
| 48 x 108 x 6 or 10 | S-48108 | SP-48108 |
| 48 x 120 x 6 or 10 | S-48120 | SP-48120 |

Sizes listed are typical darkroom requirements. All premium and standard sinks can be custom made to individual customer specifications. Refer to the price list for pricing guidelines.

*Outside dimensions.

Note: S – Add 3" to length and 3" to width (front to back).

SP – Add 3" to length and 6-1/2" to width (front to back).

PHOTO PROCESSING SINKS



Standard SQP stainless steel sink with optional stand, shelf and standpipe

ARKAY'S STANDARD SINKS

SERIES SQ AND SQP, SQUARE CORNERS

Just like our premium sinks, the SQ and SQP series are constructed of 18 gauge Type 316 LC stainless steel. Our standard sinks are heliarc welded into one solid piece, then ground, polished and passivated to provide the ideal protective surface for photographic chemicals.

All **Arkay** standard sinks are lifetime undercoated for sound insulation and condensation prevention. The SQ and SQP series sinks are easy to clean, durable, quiet and condensation-free. Compare our 18 gauge stainless steel standard sinks with any on the market, and we are confident you will discover the **Arkay** difference.

The sink's 38" high self-supporting stand and storage shelf is available in either stainless steel or black heavy gauge vinyl clad steel and can be modified to meet ADA requirements upon request at no additional charge. **Arkay** also offers three models of factory installed water temperature control plumbing packages. Special custom size sinks and configurations are available to meet your specific requirements. Call us with your specifications.

STAINLESS STEEL PHOTO PROCESSING SINK SPECIFICATIONS

| Inside* Dimensions W x L x D (inches) | SERIES SQ | |
|--|------------------------------------|---|
| | Without Backsplash Model Number | With 9" High Backsplash Model Number |
| 18 x 36 x 6 or 10 | SQ-1836 | SQP-1836 |
| 18 x 48 x 6 or 10 | SQ-1848 | SQP-1848 |
| 18 x 60 x 6 or 10 | SQ-1860 | SQP-1860 |
| 18 x 72 x 6 or 10 | SQ-1872 | SQP-1872 |
| 18 x 84 x 6 or 10 | SQ-1884 | SQP-1884 |
| 18 x 96 x 6 or 10 | SQ-1896 | SQP-1896 |
| 18 x 108 x 6 or 10 | SQ-18108 | SQP-18108 |
| 18 x 120 x 6 or 10 | SQ-18120 | SQP-18120 |
| 24 x 36 x 6 or 10 | SQ-2436 | SQP-2436 |
| 24 x 48 x 6 or 10 | SQ-2448 | SQP-2448 |
| 24 x 60 x 6 or 10 | SQ-2460 | SQP-2460 |
| 24 x 72 x 6 or 10 | SQ-2472 | SQP-2472 |
| 24 x 84 x 6 or 10 | SQ-2484 | SQP-2484 |
| 24 x 96 x 6 or 10 | SQ-2496 | SQP-2496 |
| 24 x 108 x 6 or 10 | SQ-24108 | SQP-24108 |
| 24 x 120 x 6 or 10 | SQ-24120 | SQP-24120 |
| 30 x 36 x 6 or 10 | SQ-3036 | SQP-3036 |
| 30 x 48 x 6 or 10 | SQ-3048 | SQP-3048 |
| 30 x 60 x 6 or 10 | SQ-3060 | SQP-3060 |
| 30 x 72 x 6 or 10 | SQ-3072 | SQP-3072 |

| Inside* Dimensions W x L x D (inches) | SERIES SQ | |
|--|------------------------------------|---|
| | Without Backsplash Model Number | With 9" High Backsplash Model Number |
| 30 x 84 x 6 or 10 | SQ-3084 | SQP-3084 |
| 30 x 96 x 6 or 10 | SQ-3096 | SQP-3096 |
| 30 x 108 x 6 or 10 | SQ-30108 | SQP-30108 |
| 30 x 120 x 6 or 10 | SQ-30120 | SQP-30120 |
| 36 x 36 x 6 or 10 | SQ-3636 | SQP-3636 |
| 36 x 48 x 6 or 10 | SQ-3648 | SQP-3648 |
| 36 x 60 x 6 or 10 | SQ-3660 | SQP-3660 |
| 36 x 72 x 6 or 10 | SQ-3672 | SQP-3672 |
| 36 x 84 x 6 or 10 | SQ-3684 | SQP-3684 |
| 36 x 96 x 6 or 10 | SQ-3696 | SQP-3696 |
| 36 x 108 x 6 or 10 | SQ-36108 | SQP-36108 |
| 36 x 120 x 6 or 10 | SQ-36120 | SQP-36120 |
| 48 x 36 x 6 or 10 | SQ-4836 | SQP-4836 |
| 48 x 48 x 6 or 10 | SQ-4848 | SQP-4848 |
| 48 x 60 x 6 or 10 | SQ-4860 | SQP-4860 |
| 48 x 72 x 6 or 10 | SQ-4872 | SQP-4872 |
| 48 x 84 x 6 or 10 | SQ-4884 | SQP-4884 |
| 48 x 96 x 6 or 10 | SQ-4896 | SQP-4896 |
| 48 x 108 x 6 or 10 | SQ-48108 | SQP-48108 |
| 48 x 120 x 6 or 10 | SQ-48120 | SQP-48120 |

Sizes listed are typical darkroom requirements. All standard and premium sinks are custom made to individual customer specifications. Refer to the price list for pricing guidelines.

*Outside Dimensions: SQ add 3" to length and 3" to width (front to back)
SQP add 3" to length and 6-1/2" to width (front to back)

DUCKBOARDS

Available in Type 316 LC stainless flat top channels. Sized to sink (please specify when ordering). A PVC sink mat is also available.



Stainless Duckboard



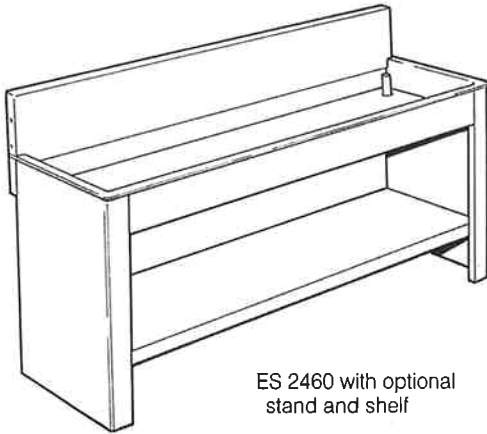
PVC Sink Mat

DIMPLED BOTTOM OF SINK

(not shown) The "KING" of duckboards ... a multitude of permanently raised 3/4" diameter dimples, evenly spaced, installed in the sink bottom to raise processing vessel off the bottom of the sink by 3/16" for free water flow and drainage.

ECONOMY PHOTO PROCESSING SINKS

Affordable economy sinks from **Arkay** represent a remarkable value. Constructed of 20 gauge Type 316 LC stainless steel, our economy sinks are comprised of the highest quality workmanship you expect from **Arkay**. All our economy sinks are heliarc welded, passivated and polished. The gauge is thicker and heavier than other economy sinks and will provide superior temperature holding qualities. **Arkay's** economy sinks are undercoated for sound insulation and condensation prevention. **Arkay's** economy line sinks are available with optional heavy gauge, vinyl-clad, chemical-resistant steel stand and shelf, and deluxe 10" high by 5" wide backsplash that accepts our factory installed plumbing packages. The sink stands can be modified for ADA wheelchair access.



ES 2460 with optional stand and shelf

PLUMBING PACKAGES FACTORY INSTALLED IN THE SINK'S BACKSPASH



Available with 6" deep sinks only

P1/BS Package – Deluxe Backsplash

- 1 – 2" dial thermometer
- 1 – tempered water mixer
- 1 – K-100 faucet
- 1 – standpipe

P2/BS Package – Deluxe Backsplash, 48" sink length minimum

- 1 – 2" dial thermometer
- 1 – tempered water mixer
- 2 – K-100 faucets
- 1 – standpipe

P3/BS Package – Deluxe Backsplash, 60" sink length minimum

- 1 – 2" dial thermometer
- 1 – tempered water mixer
- 2 – K-100 faucets
- 1 – K-200 DS faucet
- 1 – standpipe

ECONOMY PHOTO PROCESSING SINK SPECIFICATIONS

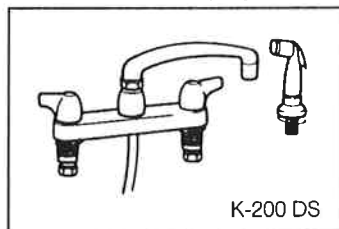
| Model | Inside Dimensions W x L x D (inches) | Deluxe 10" High Backsplash | Stand and Shelf |
|---------|---|-------------------------------|--------------------|
| ES 2448 | 24 x 48 x 6 | DBS 48 | EST 2448 |
| ES 2460 | 24 x 60 x 6 | DBS 60 | EST 2460 |
| ES 2472 | 24 x 72 x 6 | DBS 72 | EST 2472 |
| ES 2484 | 24 x 84 x 6 | DBS 84 | EST 2484 |
| ES 2496 | 24 x 96 x 6 | DBS 96 | EST 2496 |
| ES 3048 | 30 x 48 x 6 | DBS 48 | EST 3048 |
| ES 3060 | 30 x 60 x 6 | DBS 60 | EST 3060 |
| ES 3072 | 30 x 72 x 6 | DBS 72 | EST 3072 |
| ES 3084 | 30 x 84 x 6 | DBS 84 | EST 3084 |
| ES 3096 | 30 x 96 x 6 | DBS 96 | EST 3096 |

Stand Height: 38"

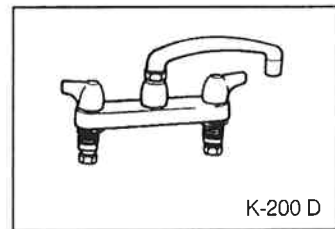
Outside Dimensions: For sink pan only, or sinks with stand & shelf, add 3" to length and 3" to width (front to back). For sinks with backsplash, add 3" to length and 6½" to width (front to back).

FAUCETS

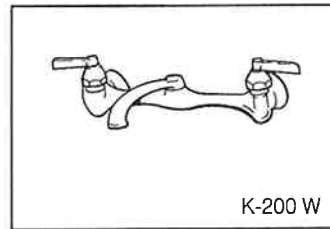
H&C swing
deck-mount with spray



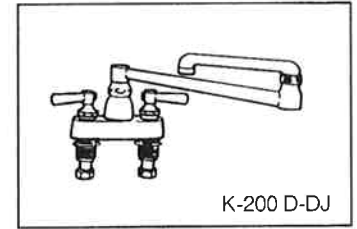
H&C swing deck-mount



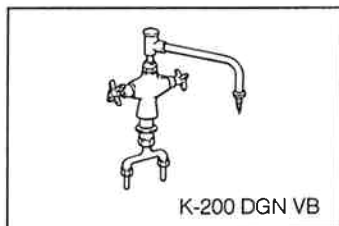
H&C swing wall-mount



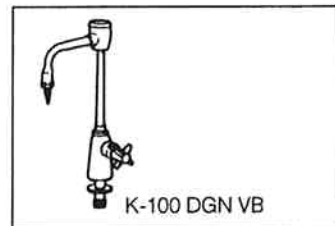
H&C double joint
swing deck-mount



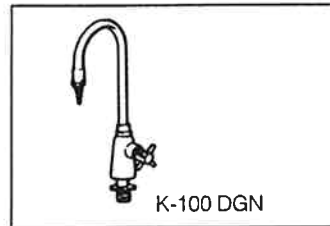
H&C swing deck-mount goose
neck with vacuum breaker



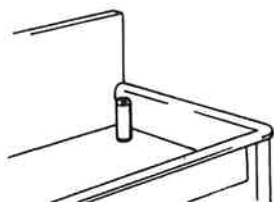
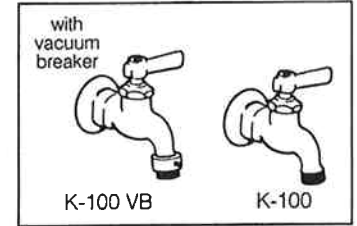
Single deck or wall-mount goose
neck with vacuum breaker



Single deck or wall-mount
goose neck



Single wall-mount



PVC OVERFLOW STANDPIPE

Using a standpipe will quickly convert the sink to a water jacket, to control temperature of solution.

| Model No. | Water Level |
|-----------|-------------|
| SP-4 | 4" |
| SP-6 | 6" |
| SP-8 | 8" |

AK-S/1 RECIRCULATOR ADAPTOR KIT

(Not shown). Model AK-S/1 Recirculator Adaptor Kit for **Arkay** 4007A Refrigeration/Heater Recirculator System. **Arkay** will punch 4 holes in the bottom of the sink pan, one in each corner, and provide all the necessary hardware and flexible hoses for hook-up to the 4007A.